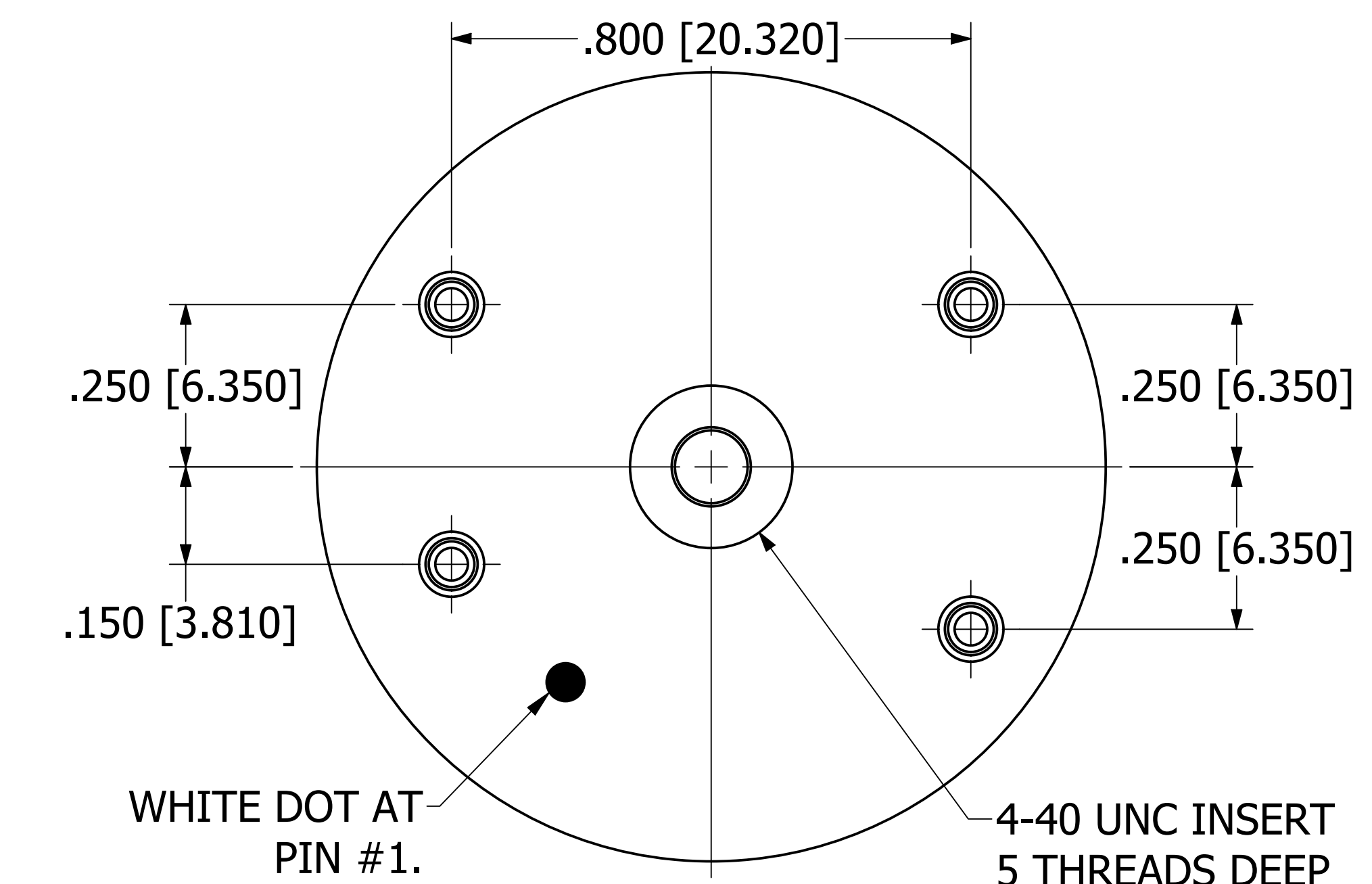
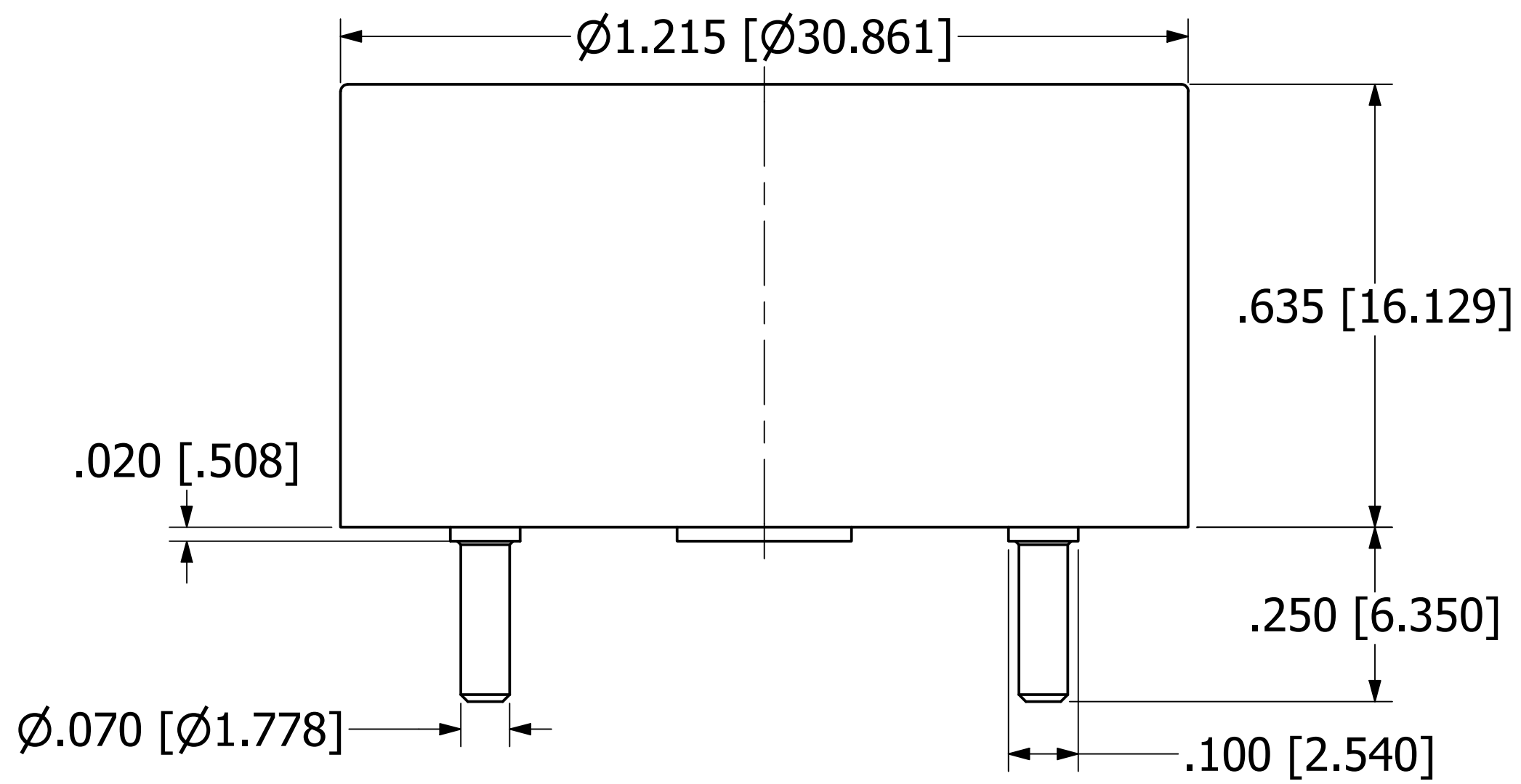


NOTES

- a. ALL DIMENSIONS ARE IN INCHES, [] = MM
- b. TERMINALS ARE CLOCKWISE FROM PIN #1



WHITE DOT AT PIN #1.

BOTTOM VIEW

PROPRIETARY AND CONFIDENTIAL
 THE INFORMATION CONTAINED IN THIS DRAWING IS THE SOLE PROPERTY OF PICO ELECTRONICS INC. ANY REPRODUCTION IN PART OR AS A WHOLE WITHOUT THE WRITTEN PERMISSION OF PICO ELECTRONICS INC. IS PROHIBITED



DRAWN	P.PALUCH	PICO Electronics	143 Sparks Ave Village of Pelham, NY 10803	
CHECKED	H. VIDAURRE			
QA		69000 SERIES - SIZE B		
MFG		SIZE	DWG NO	REV
APPROVED		C		1
REVISION DATE	06/06/2023	SCALE	NTS	www.picoelectronics.com